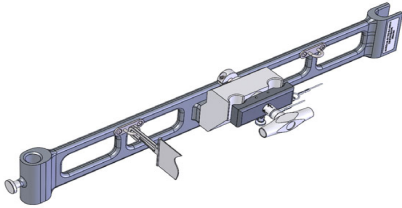
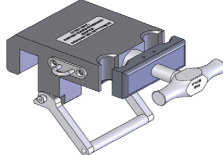
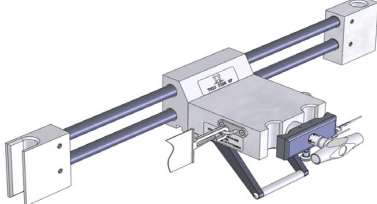
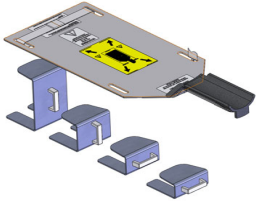
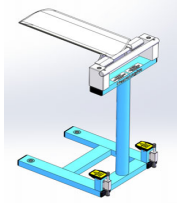
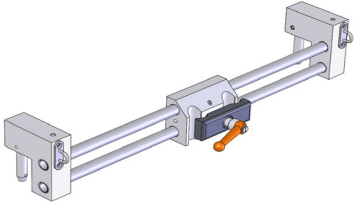
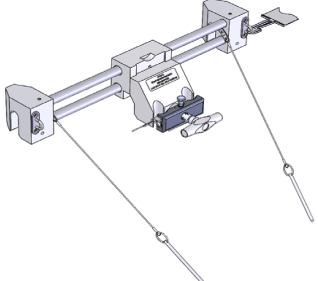
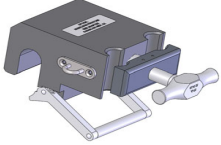
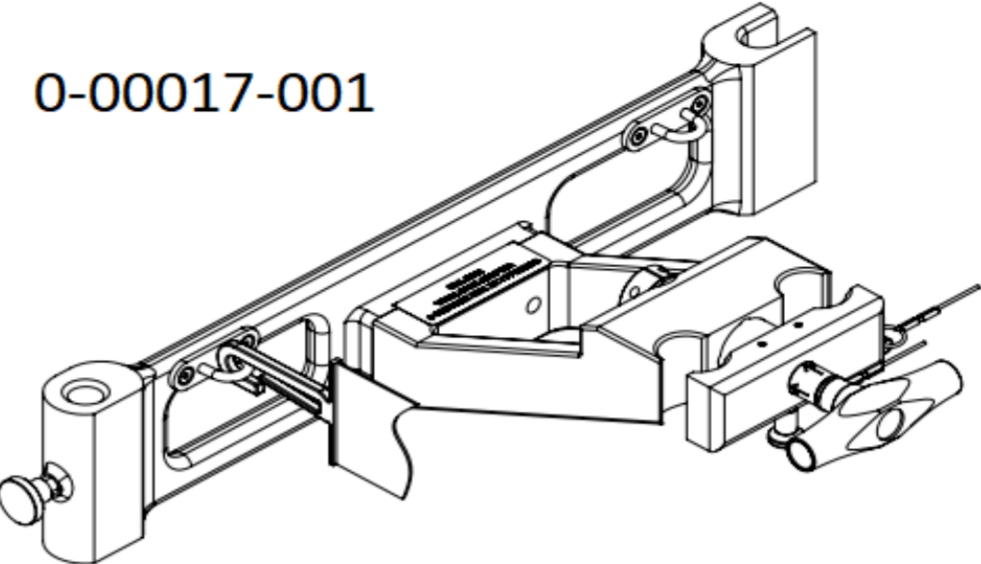
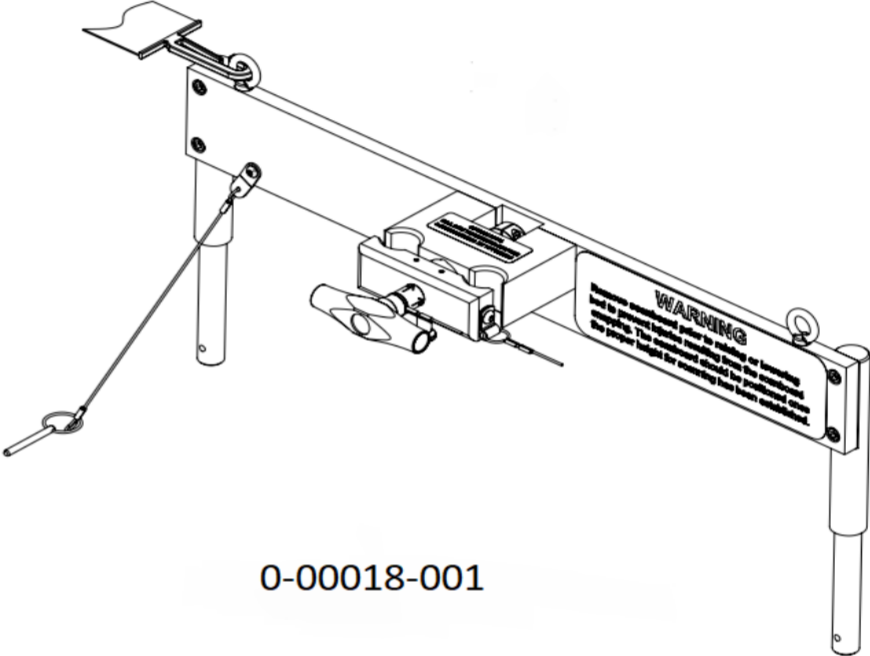
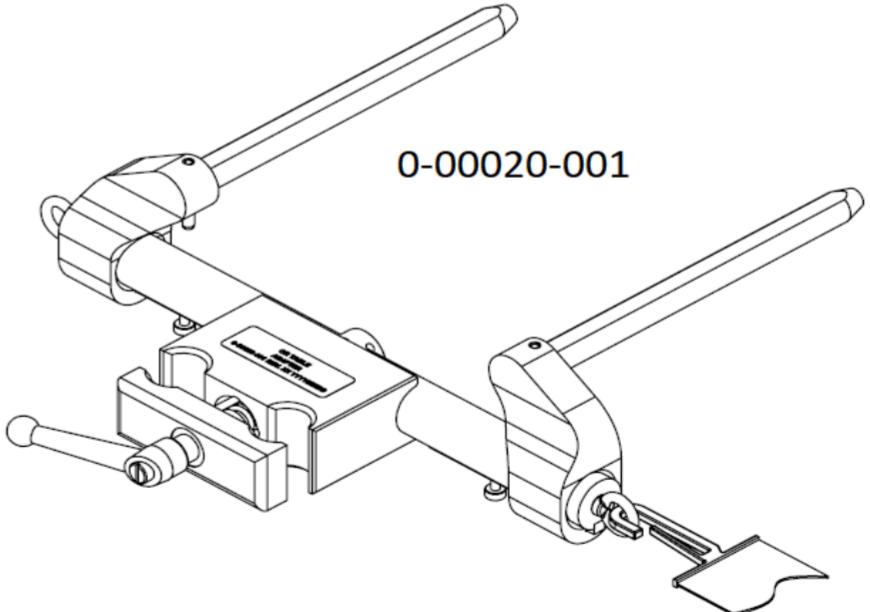


Accessories for Peru - KJH

<u>Part number</u>	<u>Description</u>	<u>Function</u>	<u>Materials</u>	<u>Iso view</u>
0-00019-001	Stryker Secure Bed Adapter	Secure mount to hold the scan board, which supports the patient's head	steel, stainless steel, zinc, magnetite, galvanized steel, aluminum, aluminum oxide, copper, brass, polyethylene, polyester, metalized polyester, urethane-coated polyester, rubber, Loctite 242, Permatex 22250 thread locker, PTFE-filled silicone free grease	
0-00025-001	Stryker Transport Stretcher Adapter	Secure mount to hold the scan board, which supports the patient's head	steel, stainless steel, Magnetite, aluminum, aluminum oxide, metalized polyester, urethane-coated polyester, Loctite 242, PTFE-filled silicone free grease, Delrin (Acetal/POM)	
0-00016-001	Stryker Trauma Stretcher Adapter	Secure mount to hold the scan board, which supports the patient's head	steel, stainless steel, zinc, Magnetite, aluminum, aluminum oxide, brass, chromium, metalized polyester, urethane-coated polyester, rubber, Loctite 242, Delrin (Acetal/POM)	
0-00029-001	Stryker Zoom Drive Bed Adapter	Secure mount to hold the scan board, which supports the patient's head	steel, stainless steel, zinc, magnetite, galvanized steel, aluminum, aluminum oxide, copper, brass, polyethylene, metalized polyester, urethane-coated polyester, rubber, Loctite 242, Permatex 22250 thread locker, PTFE-filled silicone free grease, Delrin (Acetal/POM)	
0-00036-001	Universal Transfer Board with Mounting Kit	Scanning Platform	carbon fiber composite, Abs plastic, steel, zinc, magnetite, polypropylene, polyester, metalized polyester, urethane-coated polyester, Ethylene-Vinyl Acetate, vinyl, Delrin (Acetal/POM)	

0-00169-001	Option Assy, OmniTom Universal Transfer Board	Scanning Platform	carbon fiber composite, Abs plastic, steel, zinc, magnetite, polyester, metalized polyester, urethane-coated polyester, Ethylene-Vinyl Acetate, vinyl	
0-00072-001	CereTom Neonatal Scanning Platform	Scanning Platform	carbon fiber composite, stainless steel, zinc, magnetite, aluminum, lead, polyethylene, polyester, polypropylene, nylon, metalized polyester, Ethylene-Vinyl Acetate, vinyl, Delrin (Acetal/POM), rubber, Loctite 272,	
0-00083-001	Merivaeea Emergo Bed Adapter	Secure mount to hold the scan board, which supports the patient's head	steel, stainless steel, metalized polyester, urethane-coated polyester, Loctite 27240, Delrin (Acetal/POM)	
0-00102-001	Huntleigh Enterprise Bed Adapter	Secure mount to hold the scan board, which supports the patient's head	steel, stainless steel, zinc, magnetite, galvanized steel, aluminum, aluminum oxide, copper, brass, polyethylene, metalized polyester, urethane-coated polyester, nylon, Delrin (Acetal/POM), rubber, Loctite 242, Permatex 22250 thread locker, PTFE-filled silicone free grease	
0-00103-001	Huntleigh Proscan Bed Adapter	Secure mount to hold the scan board, which supports the patient's head	steel, stainless steel, zinc, Magnetite, aluminum, aluminum oxide, brass, chromium, metalized polyester, urethane-coated polyester, rubber, Loctite 242	

Number	Name	Function	Materials: Made-to-Spec parts	Materials: Off-the-shelf parts	Image	Materials by component
0-00017-001	Hill-Rom Total Care Adapter	Attaches to bed and secures scanboard that will support patient's head	Aluminum (A356.0-T6), Aluminum (6061-T6), Stainless Steel (303), Brass, Metallized Polyester	Steel, Stainless Steel, Copper, Urethane-coated polyester, Rubber, Polyolefin plastic tubing, Nylon-coated steel wire, Loctite adhesive, Food-safe grease.	0-00017-001 	Sheet 2
0-00018-001	Hill-Rom Versacare Bed Adapter	Attaches to bed and secures scanboard that will support patient's head	Aluminum (A356.0-T6), Aluminum (6061-T6), Stainless Steel (303), Brass, Metallized Polyester	Steel, Stainless Steel, Copper, Urethane-coated polyester, Rubber, Polyolefin plastic tubing, Nylon-coated steel wire, Loctite adhesive, Food-safe grease.	0-00018-001 	Sheet 3
0-00020-001	Universal OR Table Adapter	Attaches to bed and secures scanboard that will support patient's head	Delrin, Aluminum (6061-T6), Stainless Steel (303, 304), Metallized Polyester	Steel, Stainless Steel, Urethane-coated polyester, Loctite adhesive	0-00020-001 	Sheet 4

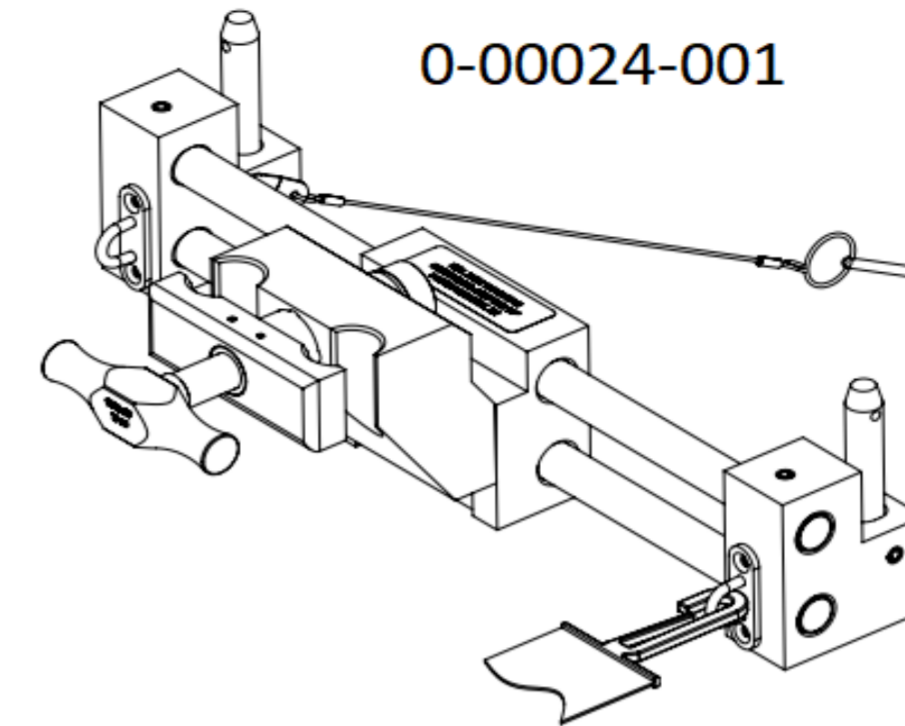
0-00024-001

Hill-Rom Transtar 16" Stretcher Adapter

Attaches to stretcher and secures scanboard that will support patient's head

Delrin, Aluminum (6061-T6), Stainless Steel (303), Brass, Metallized Polyester

Steel, Stainless Steel, Rubber, Urethane-coated polyester, Loctite adhesive



0-00024-001

[Sheet 5](#)

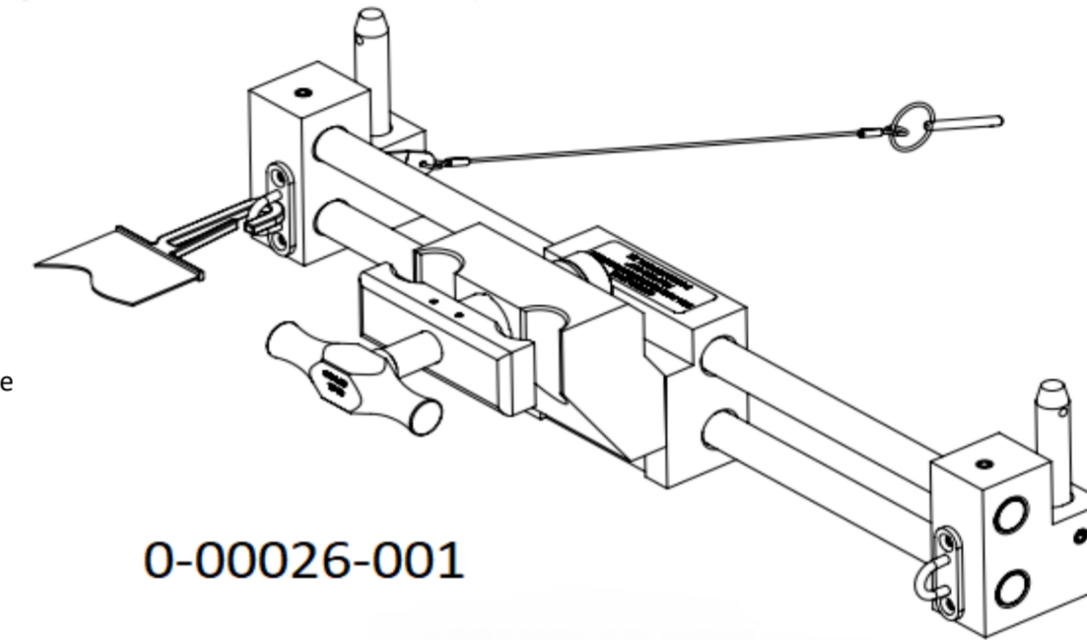
0-00026-001

Hill-Rom Transtar 19.5" Stretcher Adapter

Attaches to stretcher and secures scanboard that will support patient's head

Delrin, Aluminum (6061-T6), Stainless Steel (303), Brass, Metallized Polyester

Steel, Stainless Steel, Urethane-coated polyester, Loctite adhesive



0-00026-001

[Sheet 6](#)

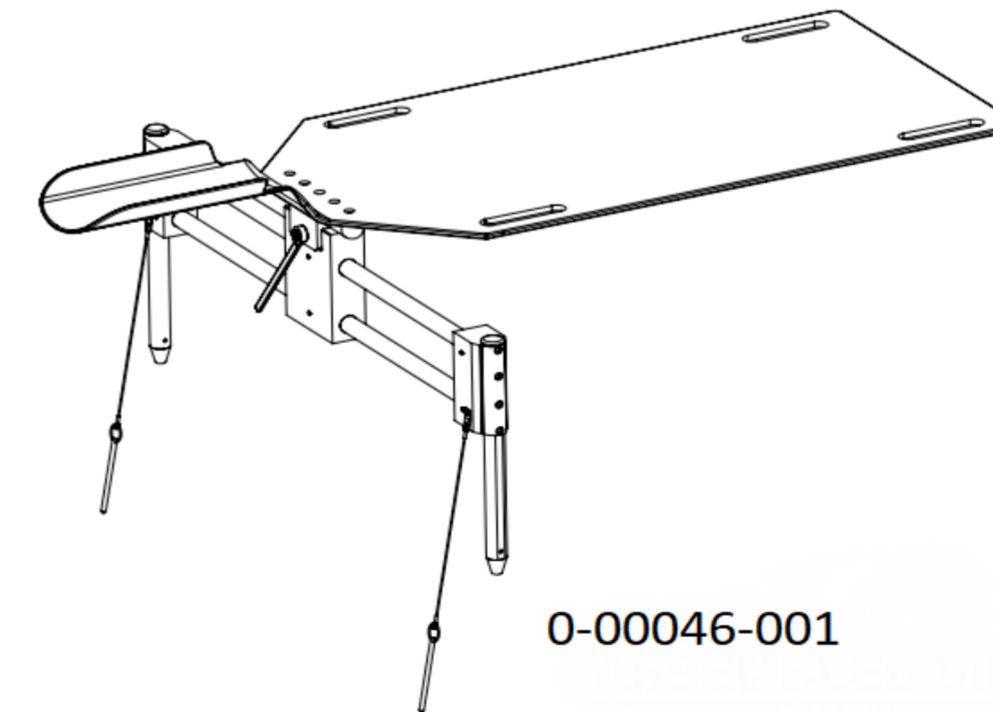
0-00046-001

Option, KCI Barimaxx II Bed Adapter

Attaches to bed and secures scanboard that will support patient's head

Delrin, Carbon fiber, Steel, Stainless Steel (304, 416), Metallized Polyester

Steel, Stainless Steel, Vinyl



0-00046-001

[Sheet 7](#)

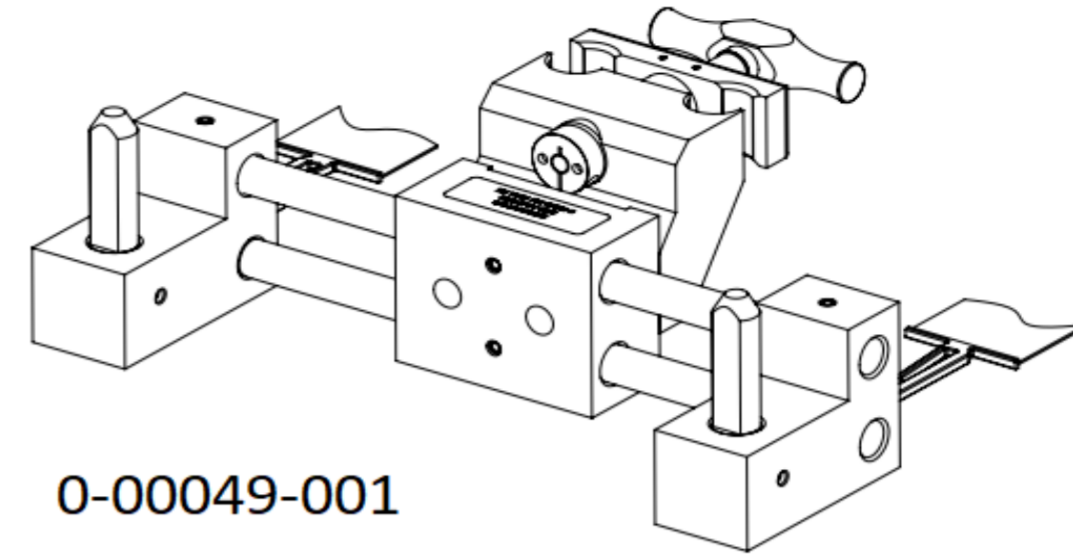
0-00049-001

Midmark 540 Bed Adapter

Attaches to bed and secures scanboard that will support patient's head

Delrin, Aluminum (6061-T6), Stainless Steel (303), Brass, Metallized Polyester

Steel, Stainless Steel, Rubber Urethane-coated polyester, Loctite adhesive



[Sheet 8](#)

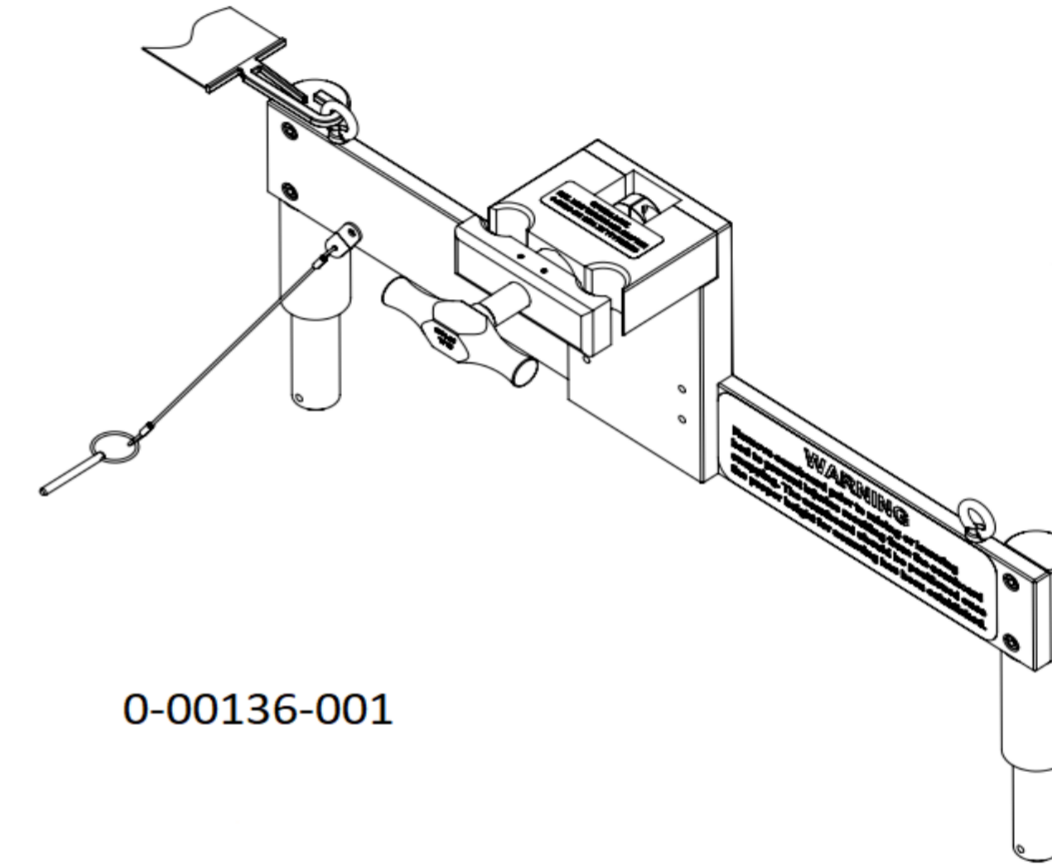
0-00136-001

Hill-Rom Versacare V2 Bed Adapter

Attaches to bed and secures scanboard that will support patient's head

Aluminum (6061-T6), Stainless Steel (303), Brass, Metallized Polyester

Steel, Stainless Steel, Copper, Urethane-coated polyester, Rubber, Polyolefin plastic tubing, Nylon-coated steel wire, Loctite adhesive, Food-safe grease.



[Sheet 9](#)

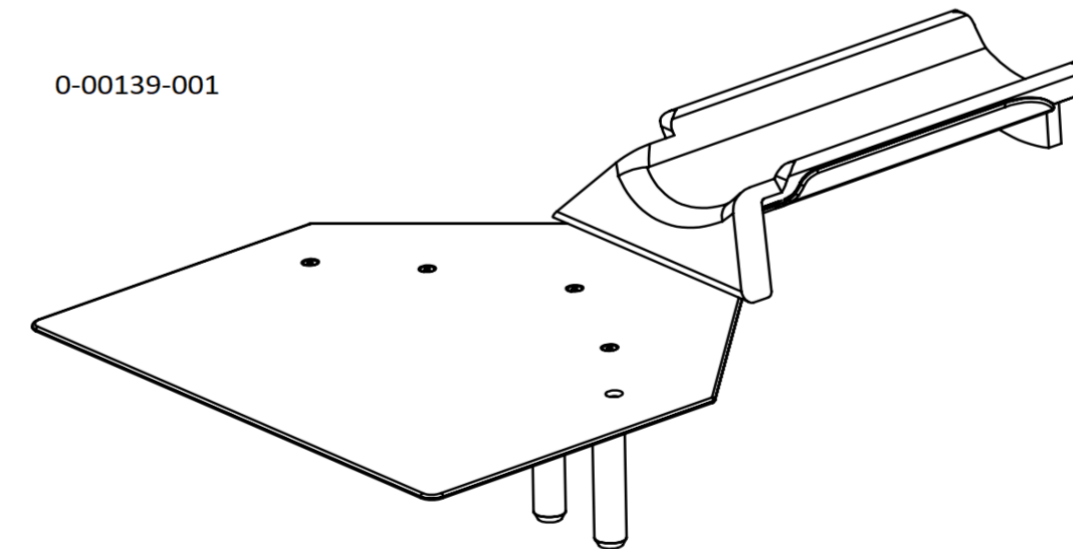
0-00139-001

Hill-Rom Progressa Pulmonary Scan Board

Supports patient's head during scans

Delrin, Carbon Fiber, Aluminum (A356.0-T6), Stainless Steel (304), #2 EVA Closed-Cell Coated Foam

Polyester, Stainless Steel



[Sheet 10](#)

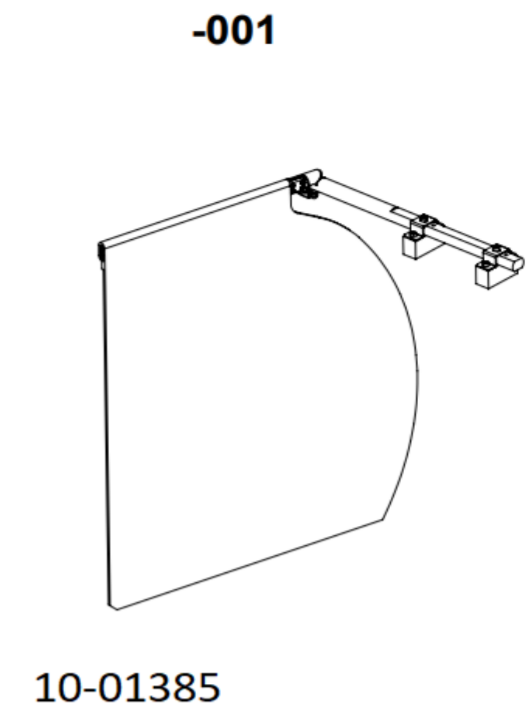
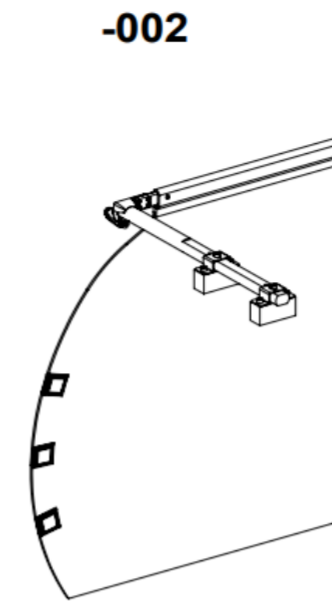
10-01385-001 and -002

Curtain Front Friction Shielding NL5000 Left and Right

Provides shielding from X-ray scatter during scans

Aluminum (6061-T6), Stainless Steel (304, 18-8), Cold-Rolled Steel 1018 or 1020, BAR-RAY STARLITE (LEAD FREE) .25mm EQUIV Pb

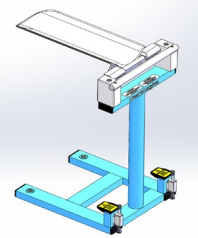
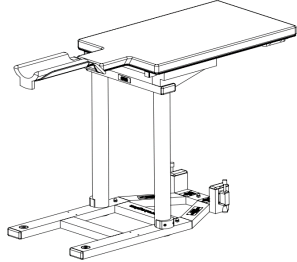
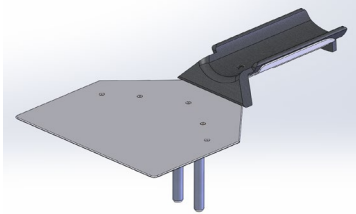
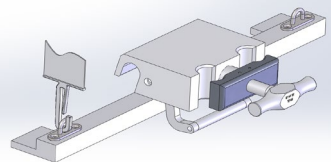
Steel, Stainless Steel, Brass, Iron, Synthetic Oil, Loctite Adhesive, Lithium Grease



10-01385

[Sheet 11](#)

Accessories for Peru DPC

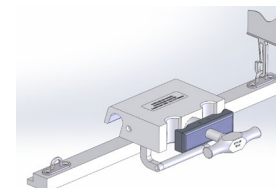
<u>Part number</u>	<u>Description</u>	<u>Function</u>	<u>Materials</u>	<u>Iso view</u>
0-00072-001	CERETOM NEONATAL SCANNING PLATFORM	Scanning Platform	steel, stainless steel, aluminum, carbon fiber composite, Delrin (Acetal/POM), LDPE, Nylon, EVA foam, lead, vinyl, Loctite 272	
0-00079-002	PEDIATRIC SCANNING PLATFORM FOR CERETOM	Scanning Platform	steel, stainless steel, aluminum, carbon fiber composite, Delrin (Acetal/POM), LDPE, Nylon, EVA foam, vinyl, urethane, Loctite 242	
0-00135-002	SILHOUETTE SCANBOARD WITH TARGET	Scanning Platform	steel, stainless steel, aluminum, carbon fiber composite, EVA foam, vinyl, 520-000007 (Styrene Butadiene Copolymer - SBR rubber after cure)	
0-00022-001	STRYKER ADVANTAGE M1001 STRETCHER ADAPTER	Secure mount to hold the scan board, which supports the patient's head	steel, stainless steel, aluminum, Delrin (Acetal/POM), urethane, polyester, Loctite 242	

0-00051-001

STRYKER BIG WHEEL
STRETCHER ADAPTER

Secure mount to hold the scan
board, which supports the
patient's head

steel, stainless steel,
aluminum, Delrin
(Acetal/POM), urethane,
polyester, Loctite 242

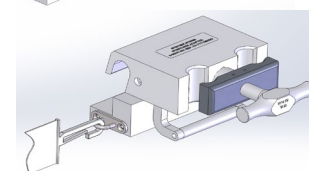


0-00047-001

STRYKER GYNNIE
STRETCHER ADAPTER

Secure mount to hold the scan
board, which supports the
patient's head

steel, stainless steel,
aluminum, Delrin
(Acetal/POM), urethane,
polyester, Loctite 242

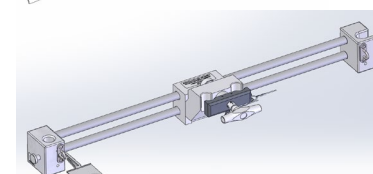


0-00087-001

STRYKER INTOUCH BED
ADAPTER

Secure mount to hold the scan
board, which supports the
patient's head

steel, stainless steel,
aluminum, Delrin
(Acetal/POM), urethane,
polyester, Loctite 242,
Loctite 22250

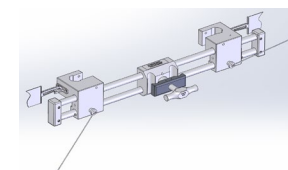


0-00021-001

STRYKER M-SERIES
STRETCHER ADAPTER

Secure mount to hold the scan
board, which supports the
patient's head

steel, stainless steel,
aluminum, Delrin
(Acetal/POM), urethane,
polyester, Loctite 242

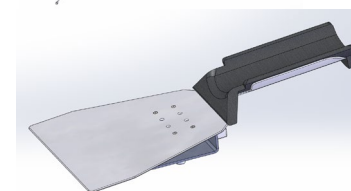


0-00137-001

STRYKER POWERPRO X
AMBULANCE SCAN
BOARD

Secure mount to hold the scan
board, which supports the
patient's head

steel, stainless steel,
aluminum, carbon fiber
composite,, Delrin
(Acetal/POM) EVA foam,
vinyl, ABS, Loctite 242,
Loctite 272

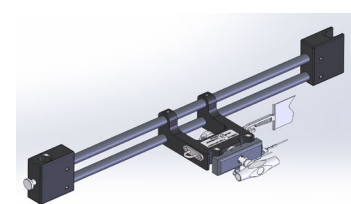


0-00141-001

STRYKER S3 BED
ADAPTER

Secure mount to hold the scan
board, which supports the
patient's head

steel, stainless steel,
aluminum, Delrin
(Acetal/POM), urethane,
polyester, Loctite 242,
Loctite 22250

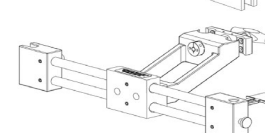
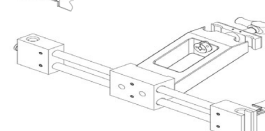
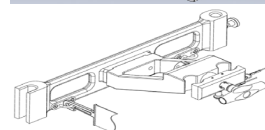
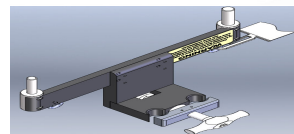
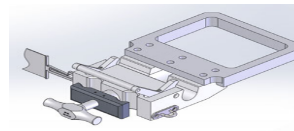
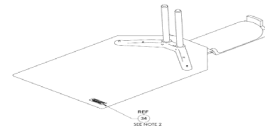
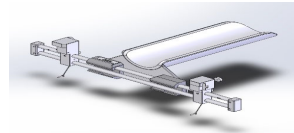


Part Number	Item Name	List of Materials that Item is Made of	Function from Attachment
0-00071-001	BARIATRIC KARR K-Z BED ADAPTER	Delrin, 416 Stainless Steel, 304 Stainless Steel, 3K412K CARBON FIBER	Secure mount to hold the scan board, which supports the patient's head
0-00075-001	OPTION DRAGER NICU IICS-90 ADAPTER	12K CARBON FIBER, #2 EVA CLOSED-CELL COATED FOAM, Delrin, 316 Stainless Steel	Secure mount to hold the scan board, which supports the patient's head
0-00150-001	EXTENDED SILHOUETTE SCAN BOARD	A356.0-T6 ALUMINUM, 304 Stainless Steel, Delrin, 12K CARBON FIBER, #2 EVA CLOSED-CELL COATED FOAM, Vinyl, Polyester	Scanning Platform
0-00150-002	OPTION, EXTENDED HILL-ROM PROGRESSA PULMONARY SCAN BOARD	A356.0-T6 ALUMINUM, 304 Stainless Steel, Delrin, 12K CARBON FIBER, #2 EVA CLOSED-CELL COATED FOAM, Vinyl, Polyester	Scanning platform
0-00023-001	HCH MERIVAARA BED ADAPTER	304 stainless steel, 6061 aluminum, Delrin, 303 stainless steel, brass, POLYESTER	Secure mount to hold the scan board, which supports the patient's head
0-00142-001	HILL-ROM AVANTGUARD 1600 BED ADAPTER	303 Stainless Steel, brass, 6061-16 aluminum, POLYESTER,	Secure mount to hold the scan board, which supports the patient's head
0-00050-001	HILL-ROM ADVANTA BED ADAPTER	303 Stainless Steel, brass, A356.0-16 aluminum, POLYESTER, 6061 aluminum	Secure mount to hold the scan board, which supports the patient's head
0-00048-001	HILL-ROM CENTURY BED ADAPTER	303 Stainless Steel, brass, Delrin, 6061-16 aluminum, POLYESTER	Secure mount to hold the scan board, which supports the patient's head
0-00073-001	HILL-ROM CENTURY CC BED ADAPTER	303 Stainless Steel, brass, Delrin, 6061 aluminum, POLYESTER	Secure mount to hold the scan board, which supports the patient's head
0-00138-001	HILL-ROM PROGRESSA PULMONARY BED AD.	303 Stainless Steel, brass, Delrin, 6061 aluminum, POLYESTER	Secure mount to hold the scan board, which supports the patient's head

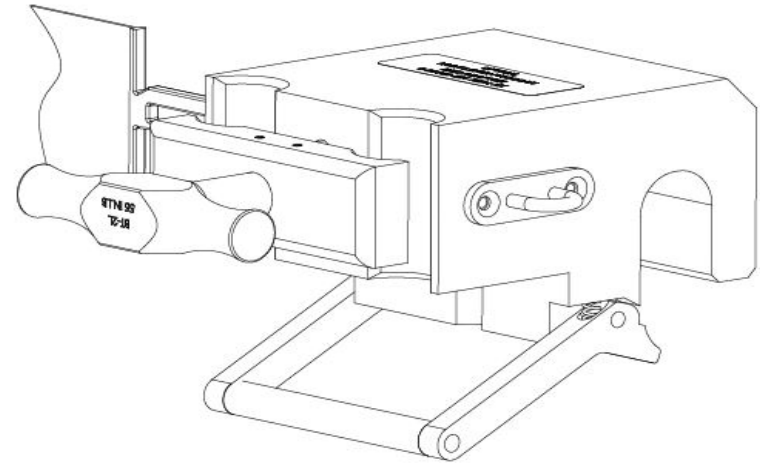
ISO View



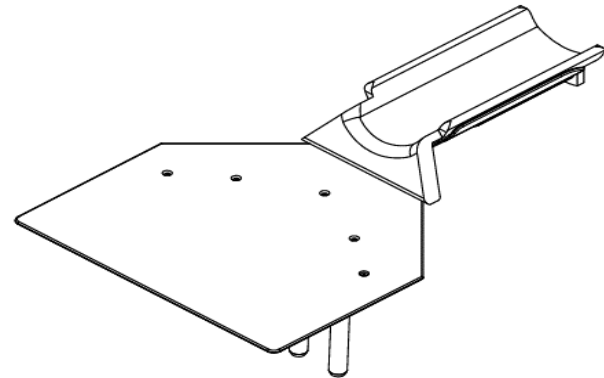
ASSEMBLED VIEW



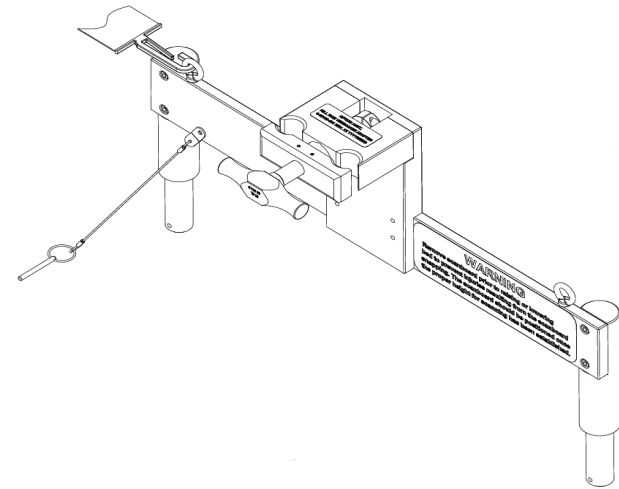
Part Number	Item Name	List of Materials	Function from Attachment	ISO View
0-00103-001	Huntleigh Proscan Bed Adapter	303 Stainless Steel, 6061 Aluminum, Brass	Secure mount to hold the scan board, which supports the patient's head	



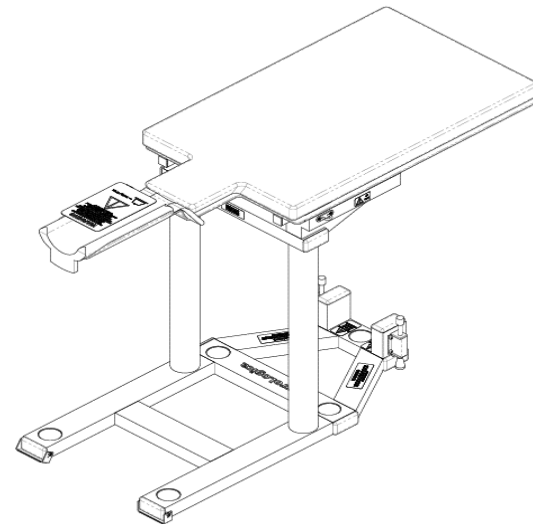
0-00135-001	Silhouette Scan Board	A356.0 Aluminum, 304 Stainless Steel, Delrin, Carbon Fiber, 2-lb EVA Closed Cell Coated Foam	Scanning platform	
-------------	-----------------------	--	-------------------	--



0-00136-001 Hill-Rom Versacare V2 Bed Adapter 303 Stainless Steel, 6061 Aluminum, Brass Secure mount to hold the scan board, which supports the patient's head



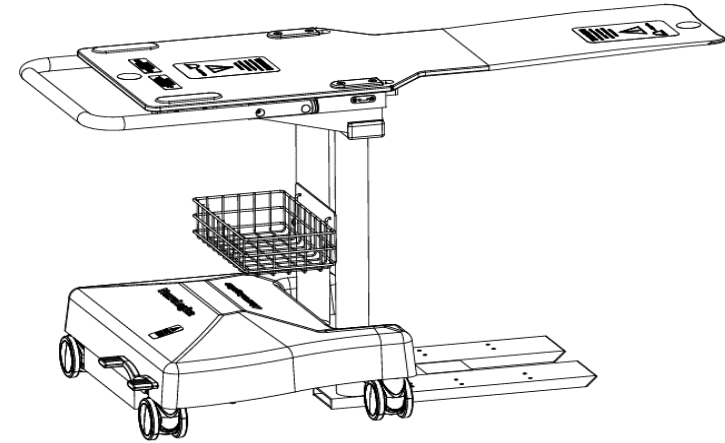
0-00171-001 Pediatric Scanning Platform For Omnitom 6061 Aluminum, 6063 Aluminum, 1018/1020 Steel, Delrin, Stainless Steel, Silicone Rubber, Carbon Fiber Scanning platform



0-00178-001 Table NL5000 Full Body Pediatric (Fbpt)

6061 Aluminum, 6063 Aluminum, 1018/1020 Steel, Delrin, Stainless Steel, Silicone Rubber, Carbon Fiber, MARKFORGED ONYX with Kevlar, KYDEX, Polyurethane, 2-lb EVA Closed Cell Coated Foam

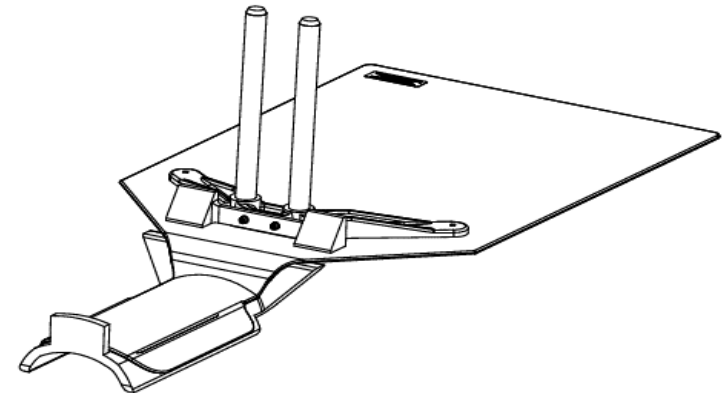
Scanning platform



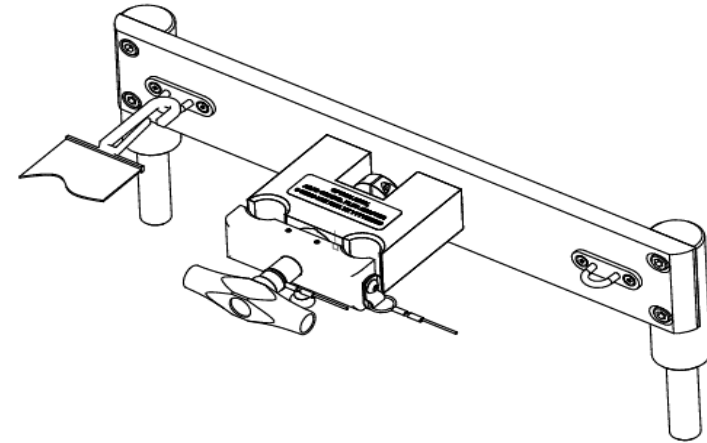
0-00202-001 Option, Extended Scanboard Long Post With Target

A356.0 Aluminum, 304 Stainless Steel, Delrin, Carbon Fiber, 2-lb EVA Closed Cell Coated Foam

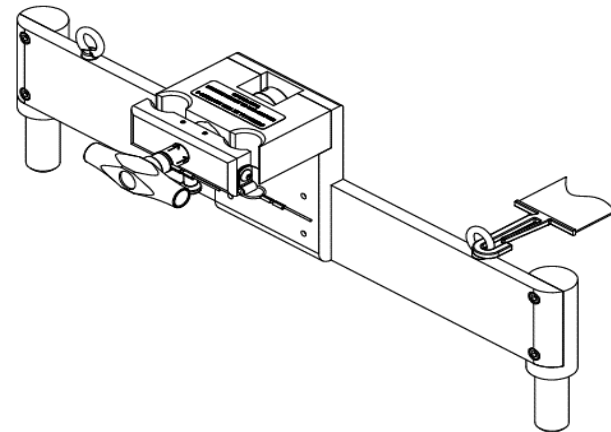
Scanning platform



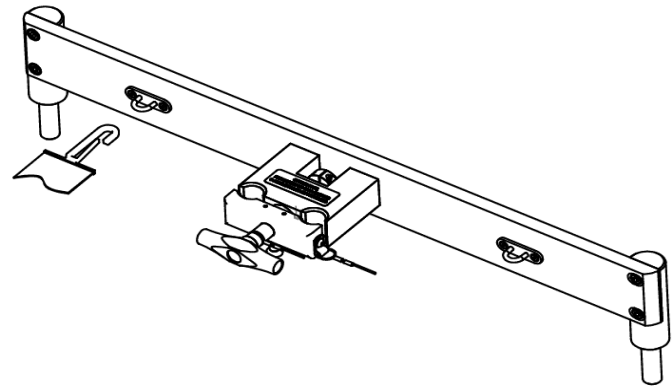
0-00210-001 Option, Bed Adapter ArjoHuntleigh Citadel Plus 303 Stainless Steel, 6061 Aluminum, Brass Secure mount to hold the scan board, which supports the patient's head



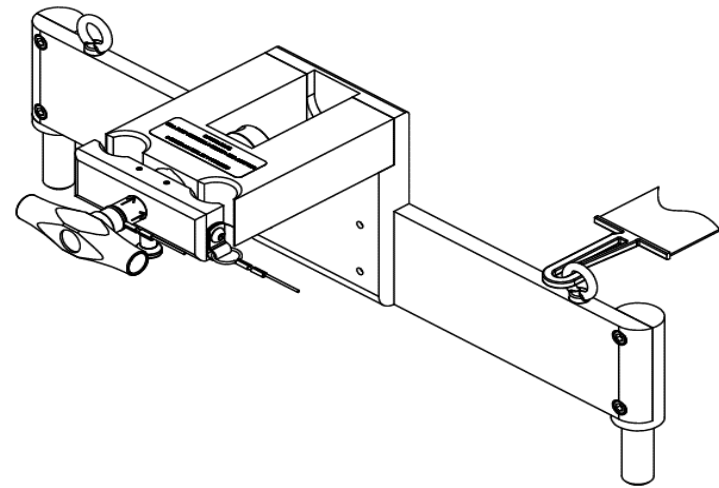
0-00213-001 Option, Howard Wright M9 Bed Adapter 303 Stainless Steel, 6061 Aluminum, Brass Secure mount to hold the scan board, which supports the patient's head



0-00216-001 Option, Bed Adapter Paramount KA- 303 Stainless Steel, 6061 Aluminum, Brass Secure mount to hold the scan board, which supports the patient's head



0-00217-001 Option, Hill Rom Centrella Smart+ Bed Adapter 303 Stainless Steel, 6061 Aluminum, Brass Secure mount to hold the scan board, which supports the patient's head



4002.100

Black Forest X-Tom Head Fixation
Device

-

Cranial Stabilization System,
cleared under FDA 510(k)
K191979

